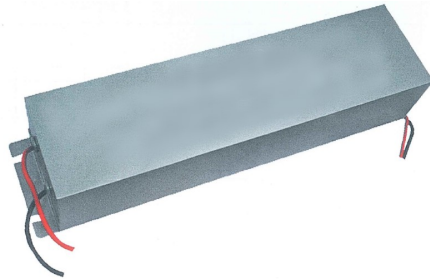




Medium Performance Power Line Filters (A5 Series) (RF Shielded Room Applications)



RF Shielded Enclosure,
Faraday Cage,
RF Shielded Room,
Anechoic Chambers,
Tempest Facilities,
RF Isolation of Secure Power Circuits
(Customised versions available)

TECHNICAL DATA

Rated Voltage - Single phase (2 line) filters	250V (line - line) (line - ground)
Rated Voltage - Three phase (4 line) filters	440V (line - line) 250V (line - ground)
Rated Current	See Characteristics (referred to +40°C ambient temperature)
Operating Frequency	0 to 60 Hz
Test Voltage	1000 VDC, 2 s (line - line) 1000 VDC, 2 s (line - ground)
Voltage drop / phase ΔV	<1% (of V_R at 50 Hz and I_R)
Leakage current $I_{Leakage}$	See Characteristics (at 400/230 and 50 Hz)
Climatic category	25 / 070 /21



COMPLIANCE ENGINEERING

EMC Product Safety Environmental Shielding

90 Indian Drive
Keysborough VIC 3173 Australia
Telephone: + 61 3 9763 3079
Email: info@compeng.com.au
Web: www.compeng.com.au
ABN: 56 101 639 588

Single Phase (A5 Series), 2 Line - Power Filters				
Type	I (A)	Cable Size	Leakage Current	Performance
CEP-2X16A5	2 X 16	4 mm ²	≤0.2A@220VAC/50Hz	100dB, 150kHz-40GHz
CEP-2X30A5	2 X 32	6 mm ²	≤0.2A@220VAC/50Hz	100dB, 150kHz-40GHz
CEP-2X50A5	2 X 50	10 mm ²	≤0.2A@220VAC/50Hz	100dB, 150kHz-40GHz
CEP-2X70A5	2 X 70	16 mm ²	≤0.2A@220VAC/50Hz	100dB, 150kHz-40GHz
CEP-2X100A5	2 X 100	25 mm ²	≤0.5A@220VAC/50Hz	100dB, 150kHz-40GHz
CEP-2X150A5	2 X 150	50 mm ²	≤0.5A@220VAC/50Hz	100dB, 150kHz-40GHz
CEP-2X200A5	2 X 200	70 mm ²	≤0.5A@220VAC/50Hz	100dB, 150kHz-40GHz

Three Phase (A5 Series), 4 Line - Power Filters				
Type	I (A)	Cable Size	Leakage Current	Performance
CEP-4X16A5	4 X 16	4 mm ²	≤0.2A@220VAC/50Hz	100dB, 150kHz-40GHz
CEP-4X30A5	4 X 32	6 mm ²	≤0.2A@220VAC/50Hz	100dB, 150kHz-40GHz
CEP-4X50A5	4 X 50	10 mm ²	≤0.2A@220VAC/50Hz	100dB, 150kHz-40GHz
CEP-4X70A5	4 X 70	16 mm ²	≤0.2A@220VAC/50Hz	100dB, 150kHz-40GHz
CEP-4X100A5	4 X 100	25 mm ²	≤0.5A@220VAC/50Hz	100dB, 150kHz-40GHz
CEP-4X150A5	4 X 150	50 mm ²	≤0.5A@220VAC/50Hz	100dB, 150kHz-40GHz
CEP-4X200A5	4 X 200	70 mm ²	≤0.5A@220VAC/50Hz	100dB, 150kHz-40GHz



Single Phase (A5 Series), 2 Line Power Filter DIMENSIONS (mm)											
Model	A	B	C	D	E	F	G	H	I	J	K
CEP-2X16A5 Figure 1	288	130	80	-	-	-	20	-	-	45	M24
CEP-2X30A5 Figure 1	288	130	80	-	-	-	20	-	-	45	M24
CEP-2X50A5 Figure 1	288	130	80	-	-	-	25	-	-	45	M33
CEP-2X70A5 Figure 1	288	130	80	-	-	-	25	-	-	45	M33
CEP-2X100A5 Figure 1	310	130	80	-	-	-	30	-	-	45	M33
CEP-2X150A5 Figure 2	400	160	120	365	435	100	55	70	-	45	2xM33
CEP-2X200A5 Figure 2	400	160	120	365	435	100	55	70	-	45	2xM33

Three Phase (A5 Series), 4 Line Power Filter DIMENSIONS (mm)											
Model	A	B	C	D	E	F	G	H	I	J	K
CEP-4X16A5 Figure 3	250	240	80	245	285	150	25	-	-	45	M33
CEP-4X30A5 Figure 3	250	240	80	245	285	150	25	-	-	45	M33
CEP-4X50A5 Figure 4	350	260	120	335	385	160	35	130	-	45	2xM33
CEP-4X70A5 Figure 4	350	260	120	335	385	160	35	130	-	45	2xM33
CEP-4X100A5 Figure 4	350	260	120	335	385	160	35	130	-	45	2xM33
CEP-4X150A5 Figure 5	600	320	150	630	660	180	55	240	80	45	4xM33
CEP-4X200A5 Figure 5	600	320	150	630	660	180	55	240	80	45	4xM33

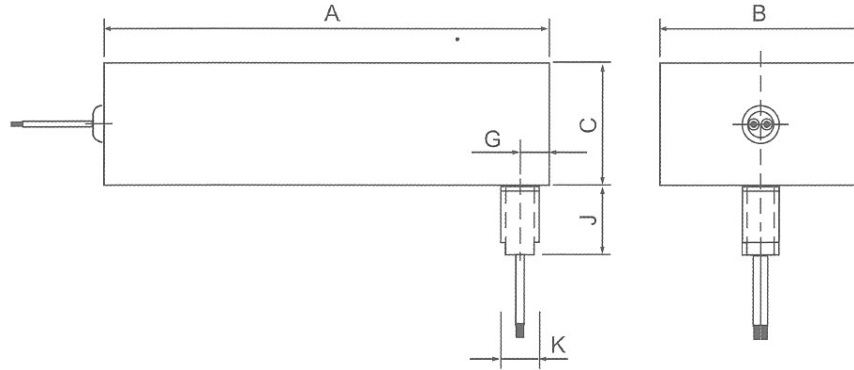


Figure 1.

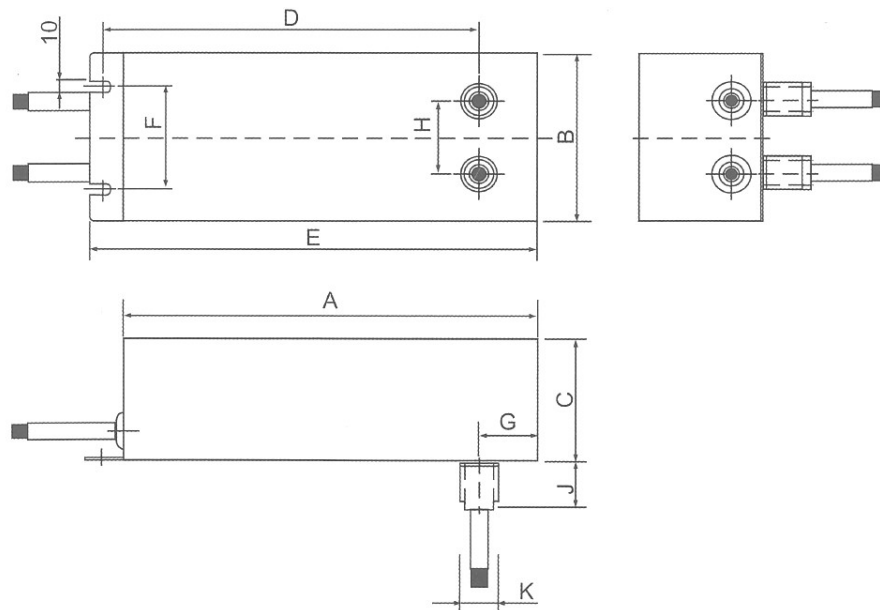


Figure 2.

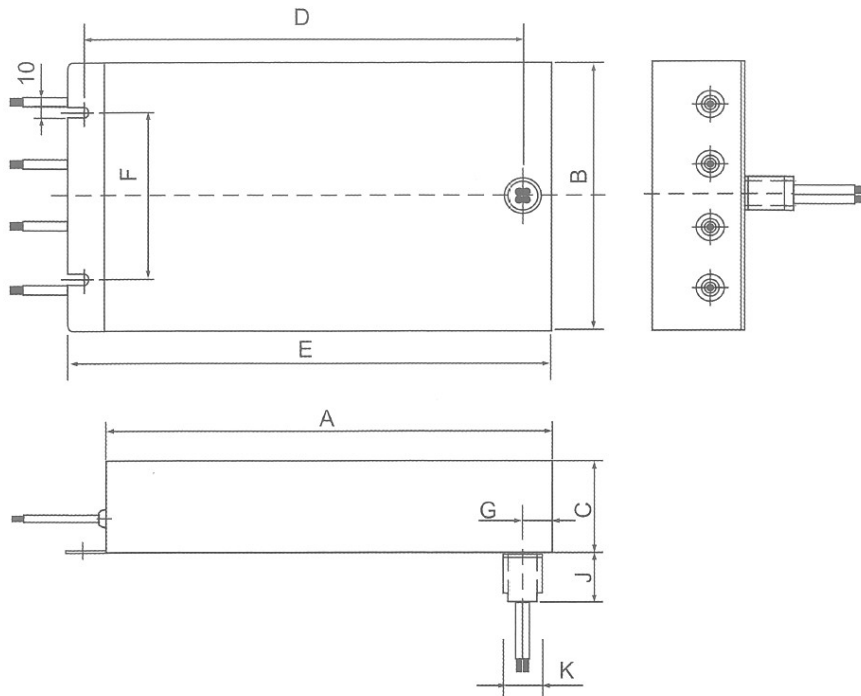


Figure 3.

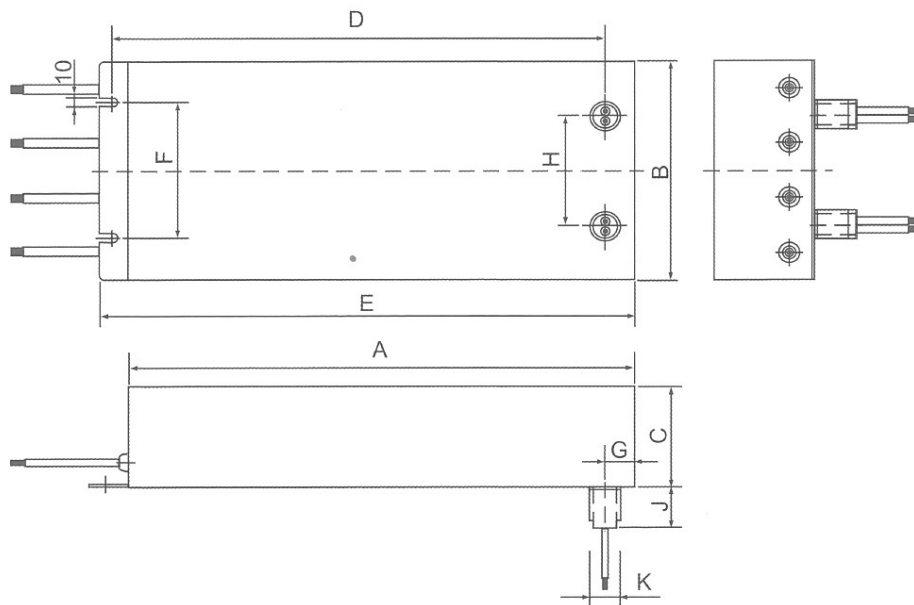


Figure 4.



COMPLIANCE ENGINEERING

EMC Product Safety Environmental Shielding

90 Indian Drive
Keysborough VIC 3173 Australia
Telephone: + 61 3 9763 3079
Email: info@compeng.com.au
Web: www.compeng.com.au
ABN: 56 101 639 588

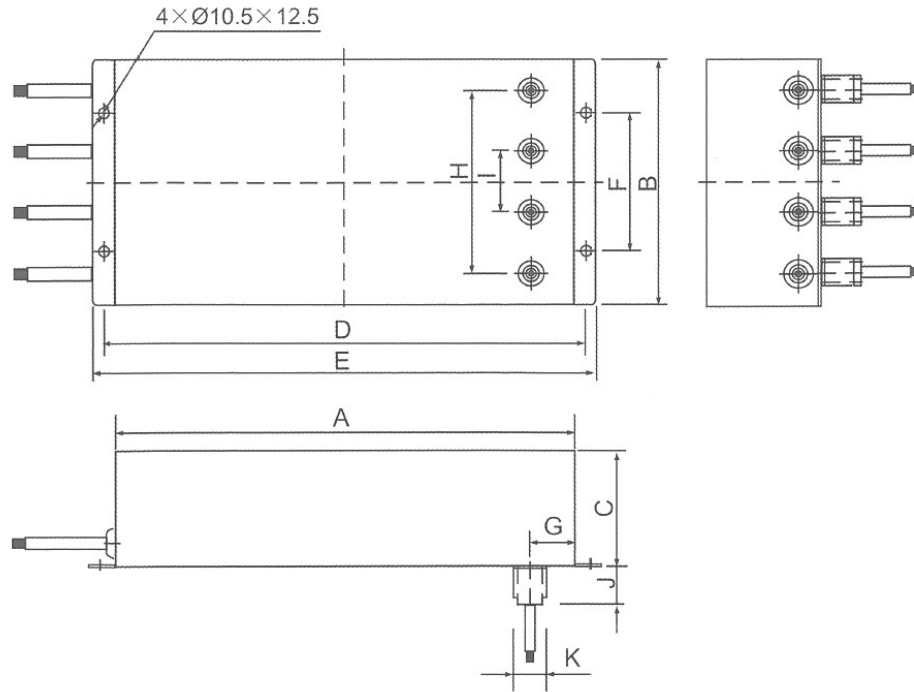


Figure 5.