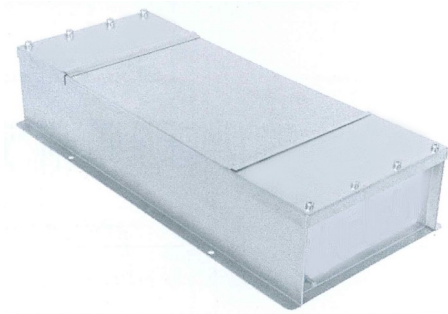




High Performance Stainless Steel Power Line Filters (C52-H Series) (RF Shielded Room Applications)

Note: These filters provide higher differential mode performance compared to C52 series



RF Shielded Enclosure,
Faraday Cage,
RF Shielded Room,
Anechoic Chambers,
Tempest Facilities,
RF Isolation of Secure Power Circuits
(Customised versions available)

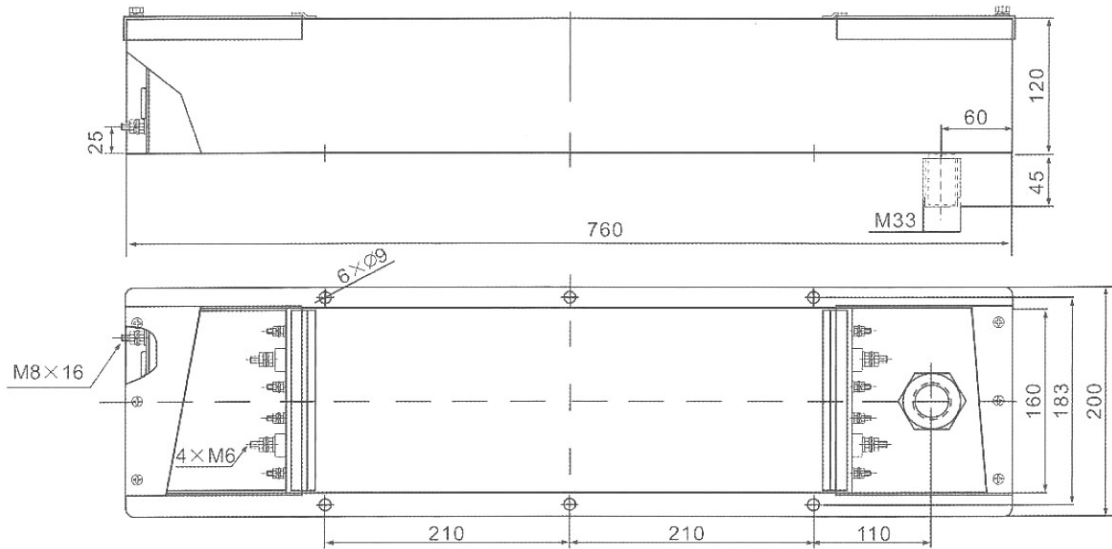
TECHNICAL DATA

Rated Voltage - Single phase (2 line) filters	250V (line - line) (line - ground)
Rated Voltage - Three phase (4 line) filters	440V (line - line) 250V (line - ground)
Rated Current	See Characteristics (referred to +40°C ambient temperature)
Operating Frequency	0 to 60 Hz
Test Voltage	1000 VDC, 2 s (line - line) 1000 VDC, 2 s (line - ground)
Voltage drop / phase ΔV	<1% (of V_R at 50 Hz and I_R)
Leakage current $I_{Leakage}$	< 0.2 A (230 VAC, 50 Hz)
Climatic category	25 / 070 /21
Enclosure Material	Stainless Steel (304) with internal connection



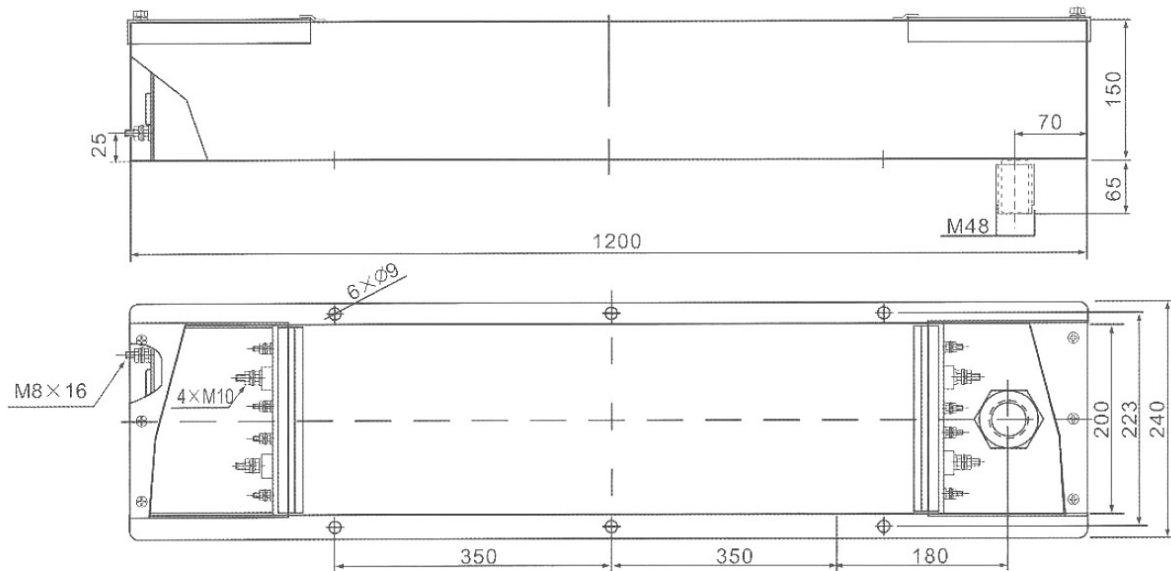
Single Phase, 2 Line - Power Filters					
Type	I (A)	V (rms) L-L	Leakage Current	Performance	Figure
CEP-2X16C52-H-JCL	2 X 16	250 VAC	≤0.2A@220VAC/50Hz	100dB, 14K-40GHz	1
CEP-2X30C52-H-JCL	2 X 32	250 VAC	≤0.2A@220VAC/50Hz	100dB, 14K-40GHz	1
CEP-2X50C52-H-JCL	2 X 50	250 VAC	≤0.2A@220VAC/50Hz	100dB, 14K-40GHz	1
CEP-2X70C52-H-JCL	2 X 70	250 VAC	≤0.2A@220VAC/50Hz	100dB, 14K-40GHz	1
CEP-2X100C52-H-JCL	2 X 100	250 VAC	≤0.2A@220VAC/50Hz	100dB, 14K-40GHz	1
CEP-2X200C52-H-JCL	2 X 200	250 VAC	≤0.2A@220VAC/50Hz	100dB, 14K-40GHz	5

Three Phase, 4 Line - Power Filters					
Type	I (A)	V (rms) L-L	Leakage Current	Performance	Figure
CEP-4X16C52-H-JCL	4 X 16	440 VAC	≤0.2A@220VAC/50Hz	100dB, 14K-40GHz	3
CEP-4X30C52-H-JCL	4 X 32	440 VAC	≤0.2A@220VAC/50Hz	100dB, 14K-40GHz	3
CEP-4X50C52-H-JCL	4 X 50	440 VAC	≤0.2A@220VAC/50Hz	100dB, 14K-40GHz	3
CEP-4X70C52-H-JCL	4 X 70	440 VAC	≤0.2A@220VAC/50Hz	100dB, 14K-40GHz	3
CEP-4X100C52-H-JCL	4 X 100	440 VAC	≤0.2A@220VAC/50Hz	100dB, 14K-40GHz	3
CEP-4X200C52-H-JCL	4 X 200	440 VAC	≤0.2A@220VAC/50Hz	100dB, 14K-40GHz	6



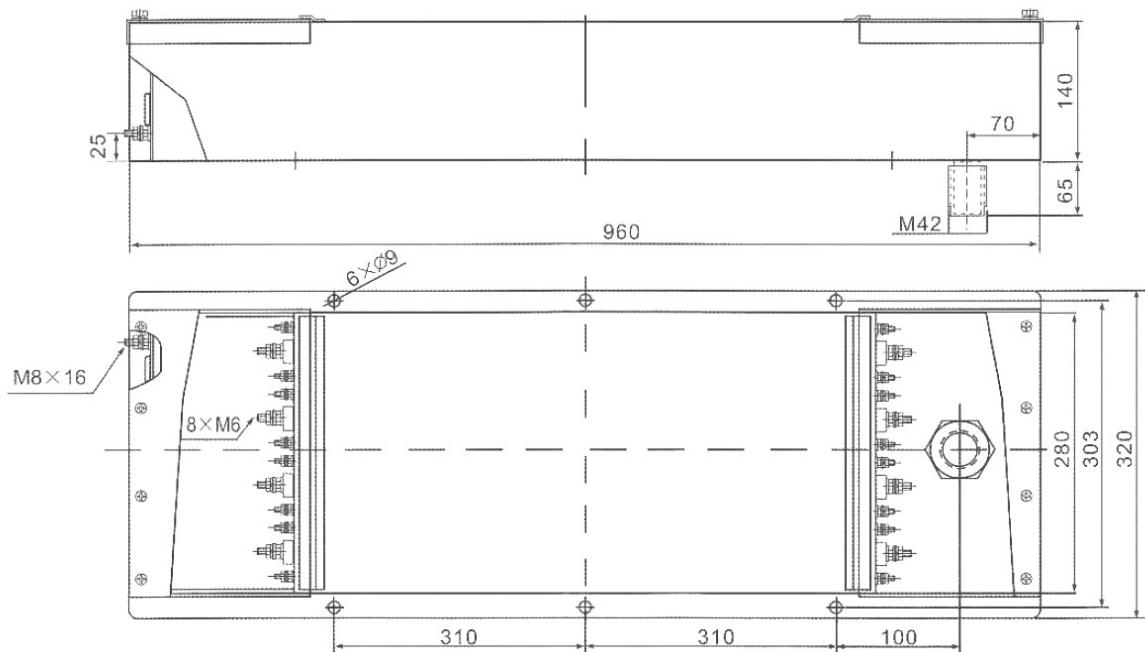
(Note: The power connection studs are M6 for the 16 - 70 A version and M8 for 100A version)

Figure 1.



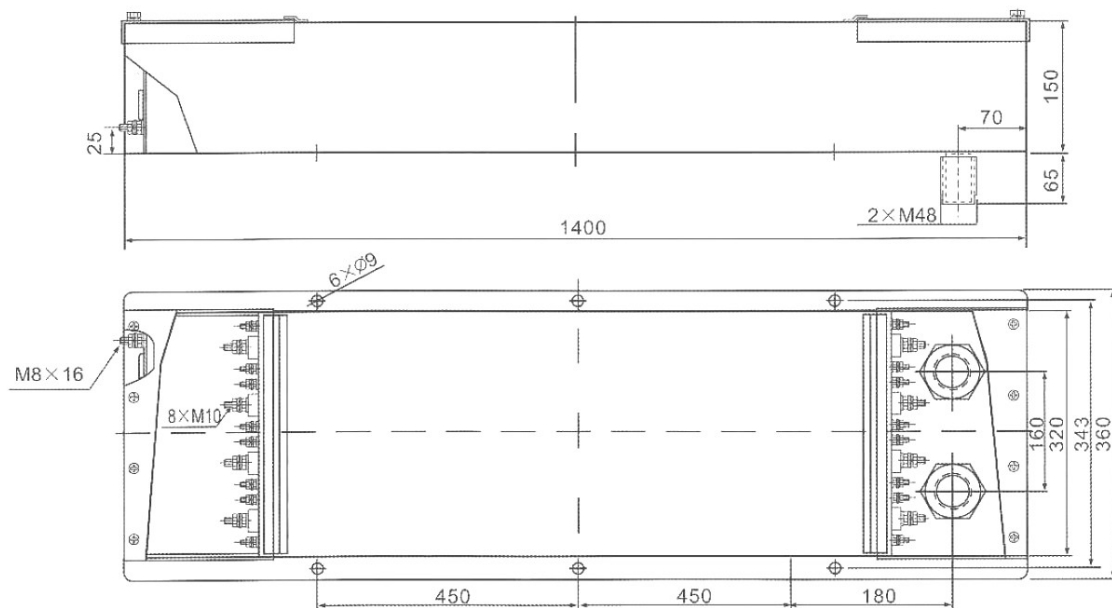
(Note: The power connection studs are M10 for the 150A and 200A versions)

Figure 5.



(Note: The power connection studs are M6 for the 16 - 70 A version and M8 for 100A version)

Figure 3.



(Note: The power connection studs are M10 for the 150A and 200A versions)

Figure 6.