



## EBL Series



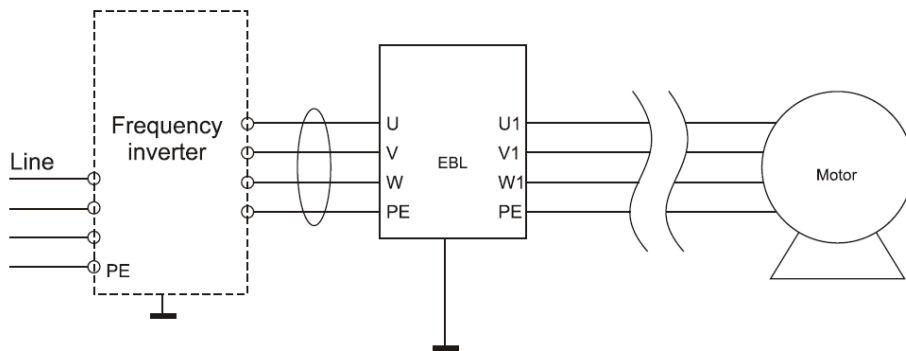
- Output filter for frequency converter, UPS AC and DC inverter equipment
- DV/DT Limitation
- Over voltage Restriction
- Reduction of electromagnetic interference levels from inverters

### TECHNICAL DATA

Rated Voltage	275/480 VAC
Operating Frequency	0-120Hz
Switching Frequency	≤60KHz
Rated Current	10A-600A
Test Voltage (1 min)	1500 VDC (line – line) 2250 VDC (line – ground)
Climatic Category	40/085/21

Model	Terminal		Rated Current (A)	Ground Capacitance (nF)	Discharge Resistance (MΩ)	Circuit Diagram fig.	Dimension fig. See appendix P34
	Input	Output					
5EBL1/EBL5	Threaded Stud		5				1
10EBL1/10EBL5	Threaded Stud		10				1
<b>15EBL1/16EBL5</b>	Threaded Stud		<b>15/16</b>				1
20EBL1	Threaded Stud		20				1
25EBL1/25EBL5	Threaded Stud		25				1/5
35EBL1/35EBL5	Threaded Stud		35				1/5
50EBL1/50EBL5	Threaded Stud		50				2
65EBL1/80EBL5	Threaded Stud		65				2
80ELB1/80EBL5	Threaded Stud		80				3
100EBL1/100EBL5	Threaded Stud		100				3
<b>150EBL1/160EBL5</b>	Threaded Stud		<b>150/160</b>				3
200EBL1/200EBL5	Threaded Stud		200				5/3
300EBL3	Large Terminal		300				4
400EBL3	Large Terminal		400				4
600EBL3	Large Terminal		600				4

CONNECTION DIAGRAM



OUTLINE DRAWING AND DIMENSIONS (mm)

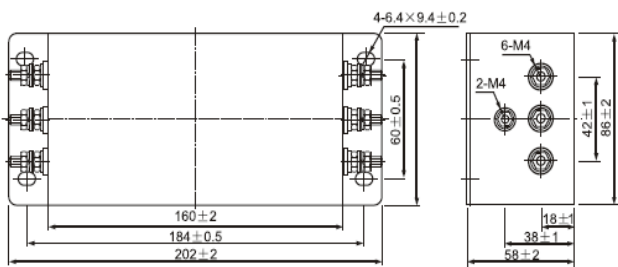


fig.1

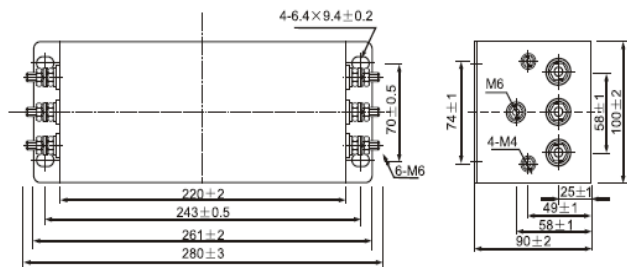


fig.2

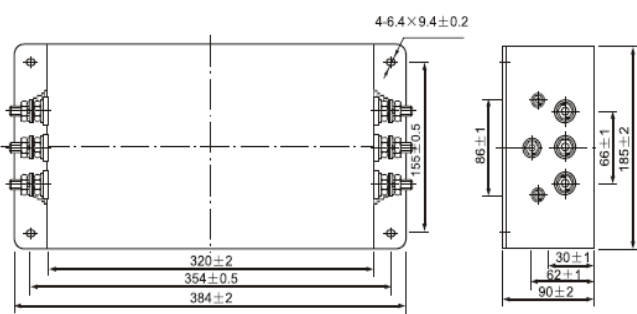


fig.3

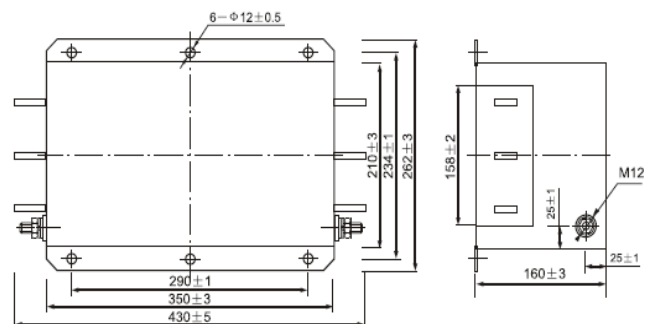


fig.4

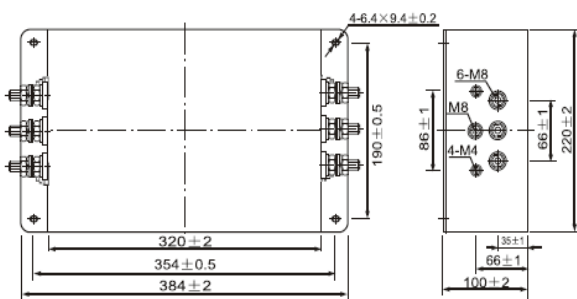


fig.5