



TECHNICAL DATA

Rated Voltage: 250 / 440VAC

Rated Current: 1500A@40°C

Operating Frequency: 50/60Hz

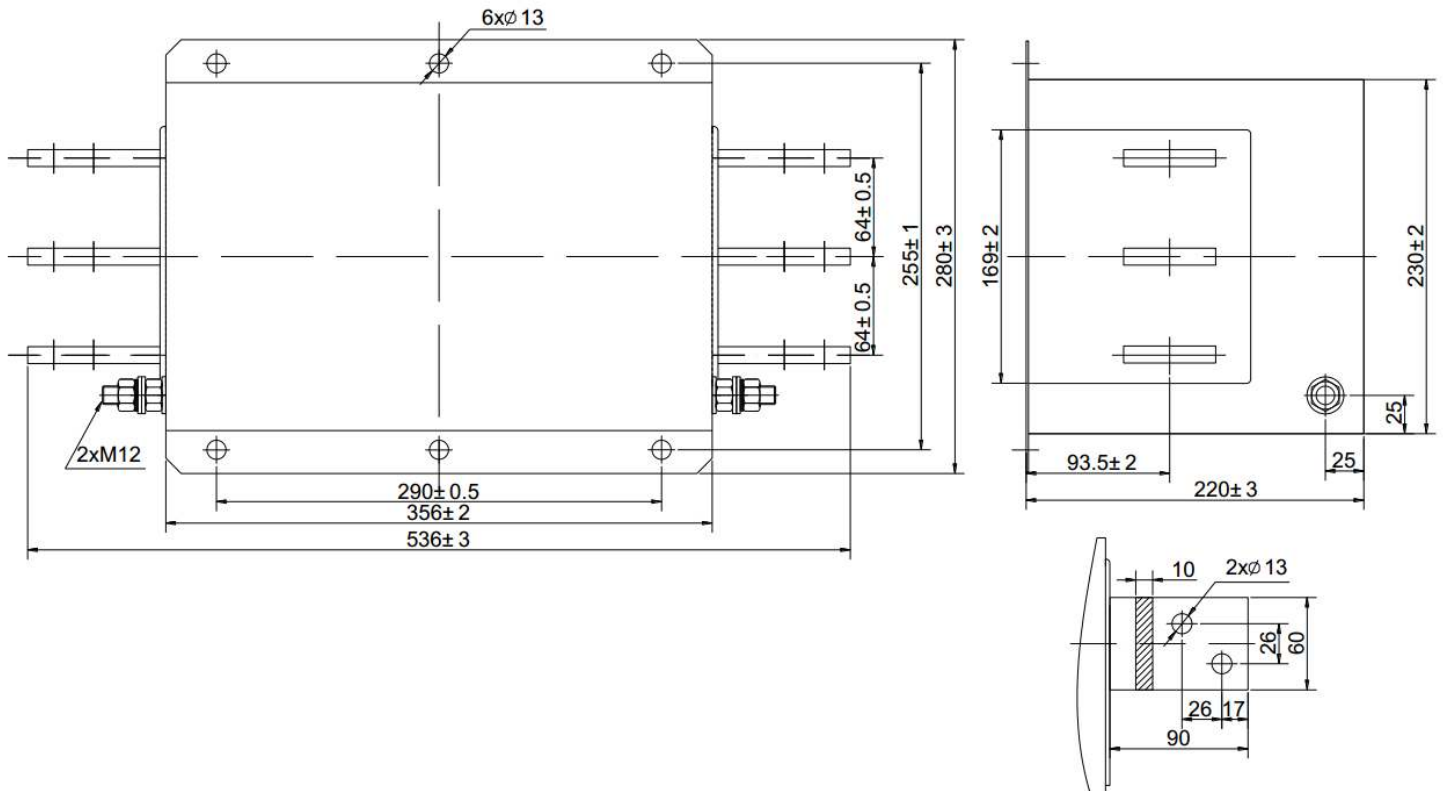
Climatic Category : 40/085/21

Test Voltage: (2S)

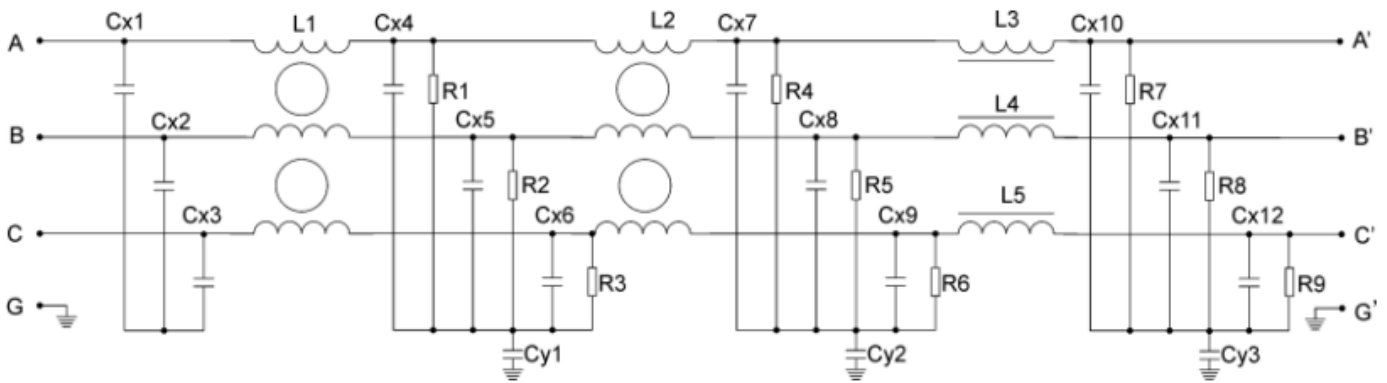
line to ground: 2250VDC

line to line: 1500VDC

OUTLINE DRAWING AND DIMENSIONS (mm)



TYPICAL CIRCUIT DIAGRAM



$L1=L2 \geq 3 \times 18\mu\text{H}$
 $L3=L4=L5 \geq 0.36\mu\text{H}$
 $Cx1 \sim Cx3 = Cx7 \sim Cx9 = 10\mu\text{F}$
 $Cx4 \sim Cx6 = Cx10 \sim Cx12 = 2\mu\text{F}$
 $Cy1 = 1\mu\text{F}$
 $Cy2 = 0.1\mu\text{F}$
 $Cy3 = 2\mu\text{F}$
 $R1 \sim R9 = 1\text{M}\Omega$

INSERTION LOSS

(50Ω, IEC/CISPR No 17, Measured in 50Ω system, as IEC/CISPR No. 17)

