



Ground Wire Filter for RF Shielded Rooms



- Rated Voltage: 220VAC, 500VDC
- Operating Frequency: 0-60Hz
- Voltage Drop: Less than 1V @ power factor

CHARACTERISTICS

Type	I _R (A)	Dim. Diagram	Insertion loss (dB) per MIL STD 220A
DL-160A-C-1	16	1	100dB, 14K-40GHz
DL-320A-C-1	32	1	100dB, 20K-40GHz
DL-500A-C-1	50	1	100dB, 30K-40GHz
DL-630A-C-1	63	1	100dB, 30K-40GHz
DL-700A-C-1	70	1	100dB, 30K-40GHz
DL-160A-C-2	16	1	100dB, 14K-10GHz
DL-320A-C-2	32	1	100dB, 20K-10GHz
DL-500A-C-2	50	1	100dB, 30K-10GHz
DL-630A-C-2	63	1	100dB, 30K-10GHz
DL-700A-C-2	70	1	100dB, 30K-10GHz
DL-160A-B-2	16	3	100dB, 100K-10GHz
DL-320A-B-2	32	3	100dB, 100K-10GHz
DL-500A-B-2	50	3	100dB, 100K-10GHz
DL-630A-B-2	63	3	100dB, 100K-10GHz
DL-700A-B-2	70	3	100dB, 100K-10GHz
DL-160A-A-2	16	1	70dB, 150K-10GHz
DL-320A-A-2	32	1	70dB, 150K-10GHz
DL-500A-A-2	50	1	70dB, 150K-10GHz
DL-630A-A-2	63	1	70dB, 150K-10GHz
DL-700A-A-2	70	1	70dB, 150K-10GHz
DL-151A-A-2	150	2	70dB, 150K-10GHz
DL-201A-A-2	200	3	70dB, 150K-10GHz

OUTLINE DRAWING AND DIMENSIONS (mm)

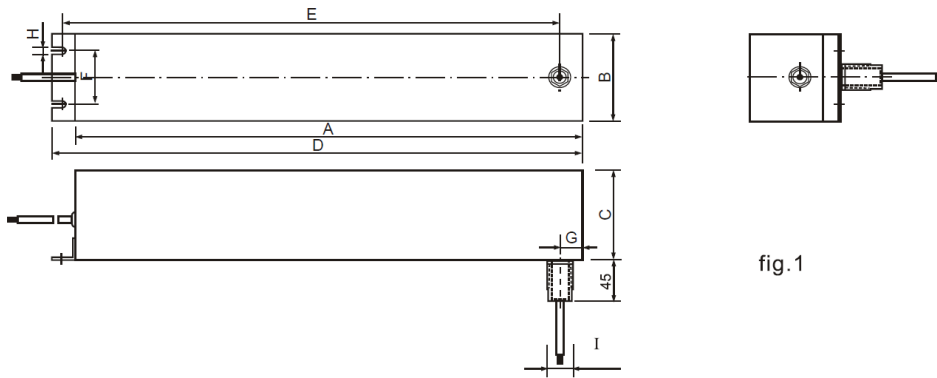


fig.1

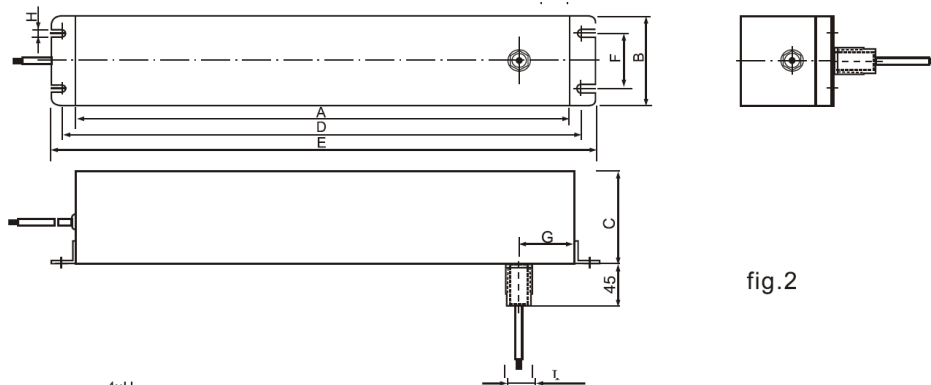


fig.2

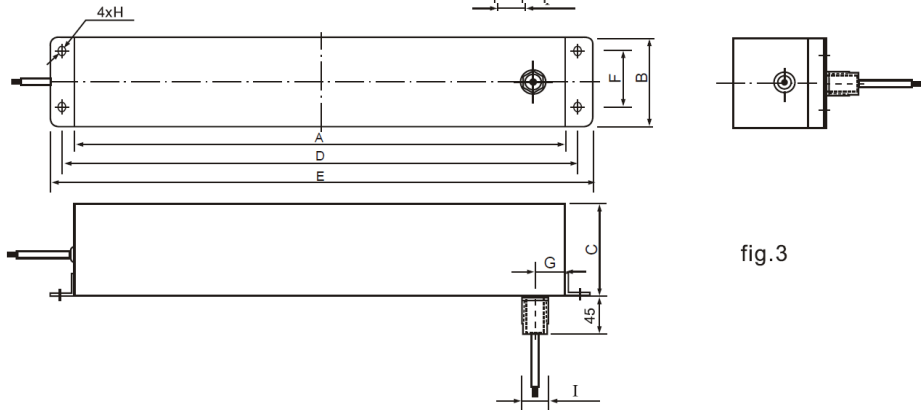


fig.3

Type	A	B	C	D	E	F	G	H	I
DL-160A-C-*	760	110	135	795	750	60	30	10	M16
DL-320A-C-*									
DL-500A-C-*									
DL-630A-C-*									
DL-700A-C-*									
DL-101A-C-*	760	130	135	790	820	80	30	Ø10.5 x 12.5	M33
DL-160A-B-*	660	130	135	690	720	80	30	Ø10.5 x 12.5	M16
DL-320A-B-*									
DL-500A-B-*									
DL-630A-B-*									
DL-700A-B-*									
DL-101A-B-*	760	130	135	790	820	30	80	Ø10.5 x 12.5	M33
DL-160A-A-*	380	110	140	400	370	60	20	6	M16
DL-320A-A-*									
DL-500A-A-*									
DL-630A-A-*									
DL-700A-A-*									
DL-101A-A-*									
DL-201A-A-*	600	200	240	630	660	100	35	Ø10.5 x 12.5	M33