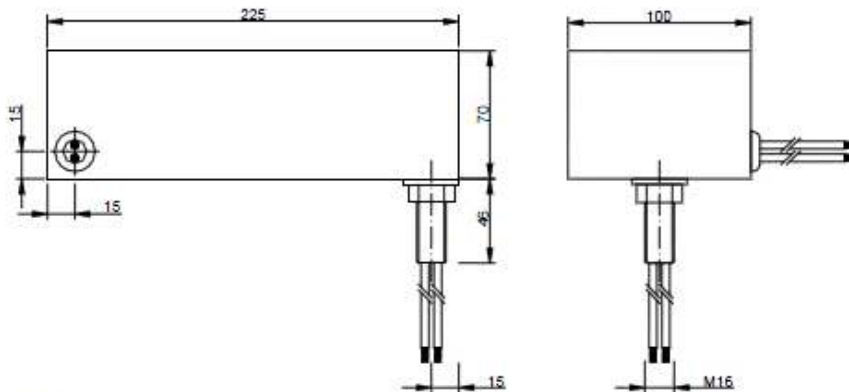




## High Bandwidth signal filter

1. Type: XL-56KB-100

2. Outline Drawing and Dimensions: (mm)



3. Technical Data:

① Rated Voltage: 200VDC

② Rated current: 1A

③ Impedance: 100  $\Omega$

④ Passband: 56KB

⑤ Insertion Loss:  $\geq 100$ dB, 1MHz ~ 10GHz

⑥ Test Voltage: 600VDC(line/line)

⑦ Climatic Category: 25/070/21

600VDC(line/ground)

4. Assembly Parts: ① M16 Conduit Screw: 1pc ② Gasket 16: 1pc  
③ M16 Screw Nut: 1pc ④ EMI Gasket: 1pc  
⑤ Certificate: 1pc

5. Installation Sketch:

