



EBT1/40, EBK1/40 Series



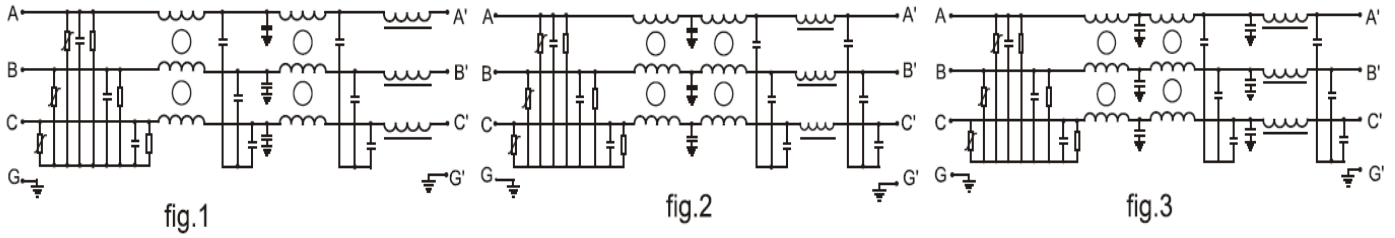
- 3-Phase EMI Power Line Filters 5 to 150A current rating
- Easy connection Terminal Block with Safety Protection
- Low leakage current, excellent attenuation for both common and differential mode

TECHNICAL DATA

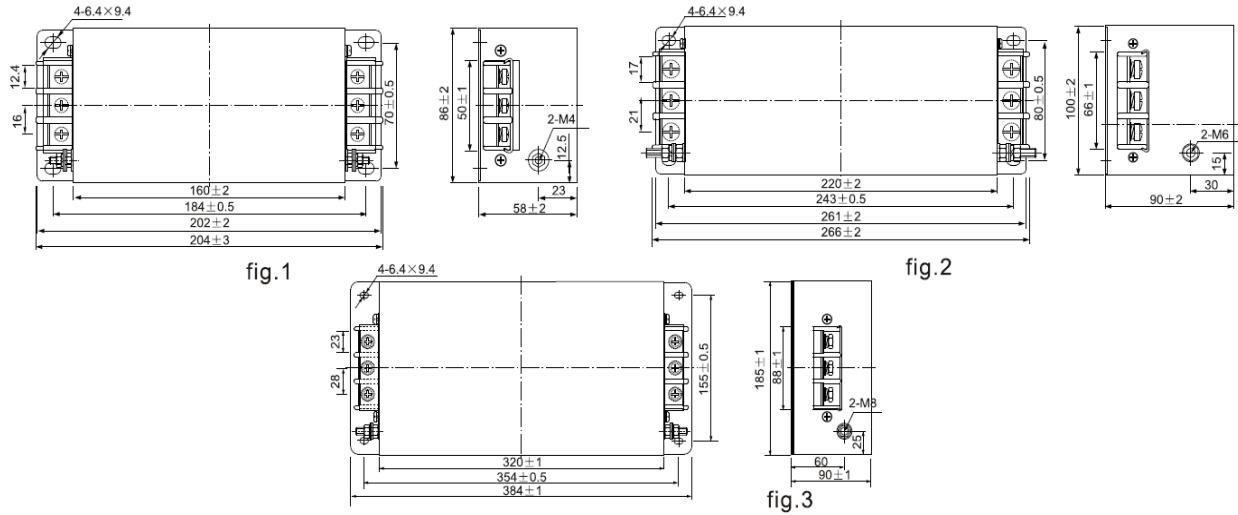
Rated Voltage	250-440 VAC
Operating Frequency	DC to 60Hz
Test Voltage (1 min)	1500 VDC (line – line) 2250 VDC (line – ground)
Climatic Category	40/085/21

Model	Terminal		Rated Current (A)	Ground Capacitance (nF)	Discharge Resistance (MΩ)	Circuit Diagram fig.	Dimension fig. See appendix P34
	Input	Output					
5BT1/40	Terminal Block		5A	47	0.22	1	1
10BT1/40	Terminal Block		10A	47	0.22	1	1
15BT1/40	Terminal Block		15A	47	0.22	1	1
20BT1/40	Terminal Block		20A	47	0.22	1	2
25BT1/40	Terminal Block		25A	47	0.22	1	2
35BT1/40	Terminal Block		35A	47	0.22	1	2
50BT1/40	Terminal Block		50A	100	0.22	2	2
65BT1/40	Terminal Block		65A	100	0.22	2	2
80BT1/40	Terminal Block		80A	100	0.22	2	3
100BT1/40	Terminal Block		100A	200	0.22	3	3
150BT1/40	Terminal Block		150A	200	0.22	3	3

TYPICAL CIRCUIT DIAGRAM



OUTLINE DRAWING AND DIMENSIONS (mm)



INSERTION LOSS

(50Ω, IEC/CISPR No 17, Measured in 50Ω system, as IEC/CISPR No. 17)

