



## EBK5/40 Series



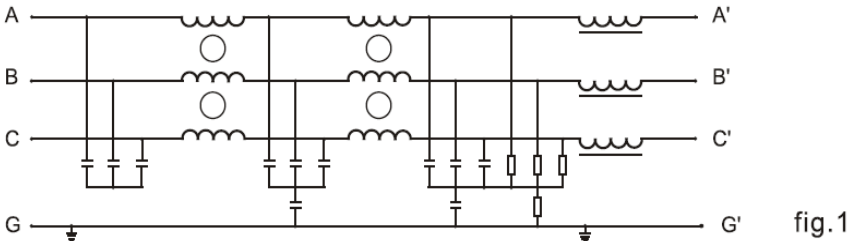
- 3-Phase EMI Power Line Filters 5 to 160A Current Ratings
- Typical Terminal Block Easy to Connection, with Safety Protection
- Low Leakage Current, High Attenuation for both Common and Differential Mode

### TECHNICAL DATA

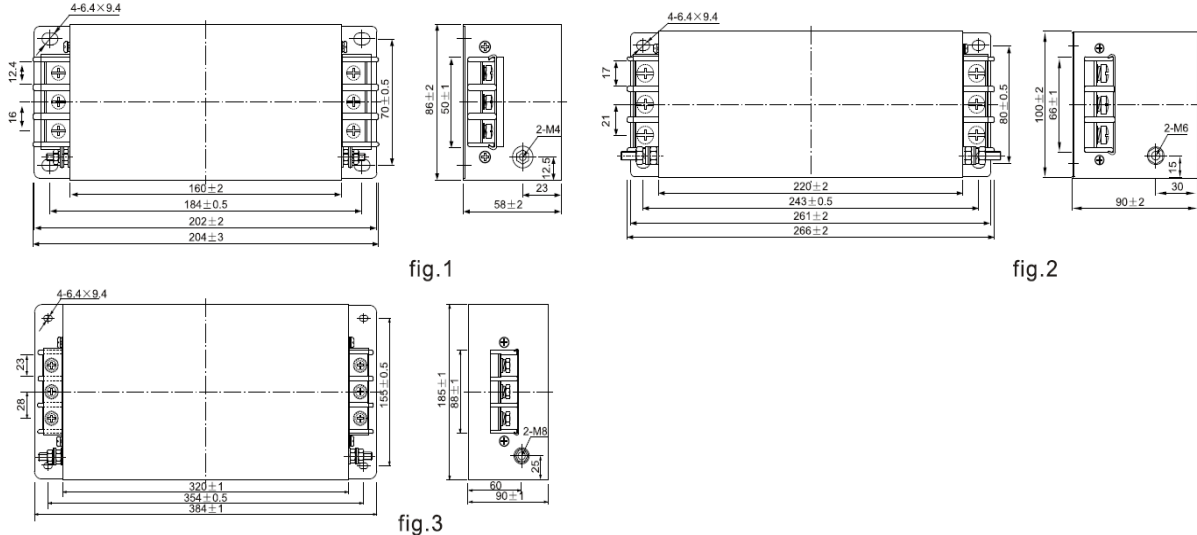
Rated Voltage	275/480 VAC
Operating Frequency	DC to 60Hz
Test Voltage (1 min)	1500 VDC (line – line) 2250 VDC (line – ground)
Climatic Category	40/085/21

Model	Terminal		Rated Current (A)	Ground Capacitance (nF)	Discharge Resistance (MΩ)		Dimension fig.
	Input	Output			R1-3	RO	
5EBK5/40	Terminal Block		5A	200	1.5	0.68	1
10EBK5/40	Terminal Block		10A	200	1.5	0.68	1
16EBK5/40	Terminal Block		16A	200	1.5	0.68	1
25EBK5/40	Terminal Block		25A	200	1.5	0.68	2
35EBK5/40	Terminal Block		35A	200	1.5	0.68	2
50EBK5/40	Terminal Block		50A	320	1.5	0.68	2
65EBK5/40	Terminal Block		65A	320	1.5	0.68	2
80EBK5/40	Terminal Block		80A	320	1.5	0.68	3
100EBK5/40	Terminal Block		100A	320	1.5	0.68	3
130EBK5/40	Terminal Block		130A	690	1.5	0.68	3
160EBK5/40	Terminal Block		160A	690	1.5	0.68	3

**TYPICAL CIRCUIT DIAGRAM**



**OUTLINE DRAWING AND DIMENSIONS (mm)**



**INSERTION LOSS**

(50Ω, IEC/CISPR No 17, Measured in 50Ω system, as IEC/CISPR No. 17)

