

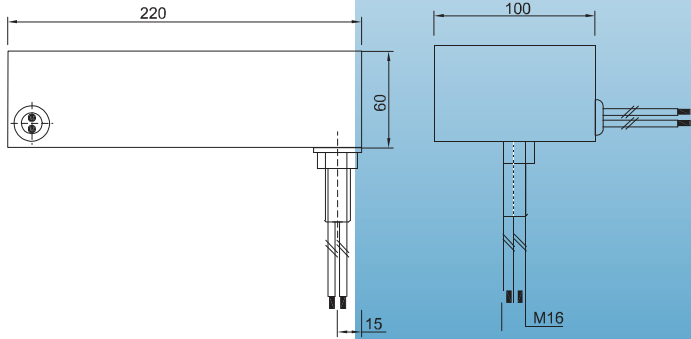
XL Series EMC Filters

Compliance Engineering's XL series EMC filters are ideal for telephone, data communication, control and fire alarm services in RF shielded enclosure applications.



Technical Data	
Rated Voltage:	250VDC
Impedance:	300 / 600Ω
Test Voltage (1 min):	600DC (line to ground)
Climatic Conditions:	25/070/21

Outline Drawings and Dimension (mm)



Model	Rated Current (A)	Impedance Ω / L-L	Passband	Insertion Loss (dB)	Voltage (DCV)
XL-56KB-100	1	100	56kB	100dB, 1M-40GHz	200
XL-56KB-600	1	600	56kB	100dB, 1M-40GHz	200
XL-20KB-5000	0.006	5000	20kB	100dB, 300k-40GHz	30
XL-4-8	2	8	4kB	100dB, 14k-40GHz	30
XL-3	0.3	600	0 - 3.4 kHz	100dB, 14k-40GHz	250
XL-8	0.3	600	0 - 7 kHz	100dB, 25k-40GHz	250
XL-384	0.3	600	0 - 384 kHz	100dB, 1M-40GHz	250
XL-4-16	2	16	4kB	100dB, 14k-40GHz	30
XL-4-100	1	100	4kB	100dB, 14k-40GHz	125
XL-4-140	0.5	140	4kB	100dB, 14k-40GHz	125
XL-4-200	0.5	200	4kB	100dB, 14k-40GHz	125
XL-4-300	1	300	4kB	100dB, 14k-40GHz	125
XL-4-5000	0.025	5000	4kB	100dB, 14k-40GHz	125
XL-1-100	1	100	1kB	100dB, 14k-40GHz	250
XL-1-40	3	40	1kB	100dB, 14k-40GHz	250
XL-1-20	5	20	1kB	100dB, 14k-40GHz	250