

K Series EMC Filters

Compliance Engineering's K series EMC filters are high performance 2 stage filters with excellent performance in both common and differential modes.



| Technical Data | |
|-----------------------|--------------------------|
| Rated Voltage: | 120/250VAC |
| Operating Frequency: | 50/60 Hz |
| Current Rating: | 3A-80A |
| Test Voltage (1 min): | 1500VAC (line to ground) |
| Climatic Conditions: | 25/085/21 |

| Model | Rated Current (A) | Ground Capacitance (nF) | Leakage Current \leq mA | Discharge Resistance (M Ω) | Circuit Diagram Figure | Dimension Figure |
|-------|-------------------|-------------------------|---------------------------|------------------------------------|------------------------|------------------|
| 3K1 | 3 | 9.4 | 1.5 | 1.5 | 1 | 1 |
| 6K1 | 6 | 9.4 | 1.5 | 1.5 | 1 | 1 |
| 10K1 | 10 | 9.4 | 1.5 | 1.5 | 1 | 1 |
| 12K1 | 12 | 9.4 | 1.5 | 1 | 2 | 2 |
| 15K1 | 15 | 13.3 | 1.5 | 1.5 | 1 | 5 |
| 20K3 | 20 | 9.4 | 1.5 | 1.5 | 1 | 3 |
| 20K32 | 20 | 6.6 | 1.5 | 1.5 | 1 | 3 |
| 30K3 | 30 | 9.4 | 1.5 | 1.5 | 1 | 3 |
| 40K1 | 40 | 9.4 | 1.5 | 1 | 2 | 8 |
| 40K3 | 40 | 9.4 | 1.5 | 1.5 | 1 | 4 |
| 50K3 | 50 | 9.4 | 1.5 | 1.5 | 1 | 6 |
| 80K1 | 80 | 9.4 | 1.5 | 1 | 2 | 7 |

Typical Circuit Diagram

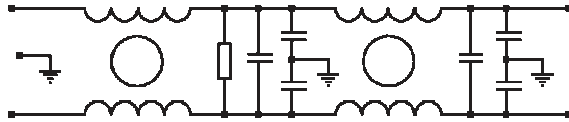


Figure 1.

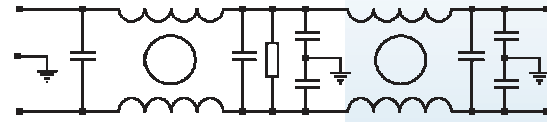


Figure 2.

Outline Drawings and Dimension (mm)

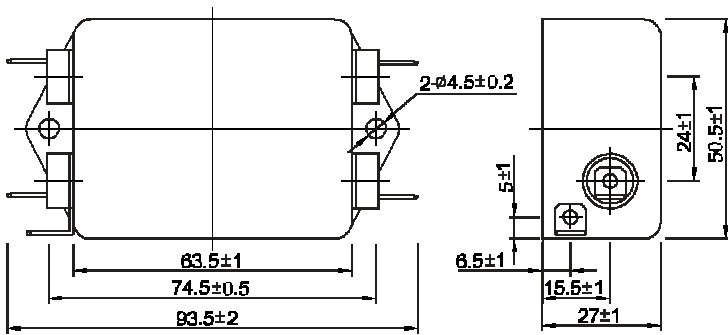


Figure 1.

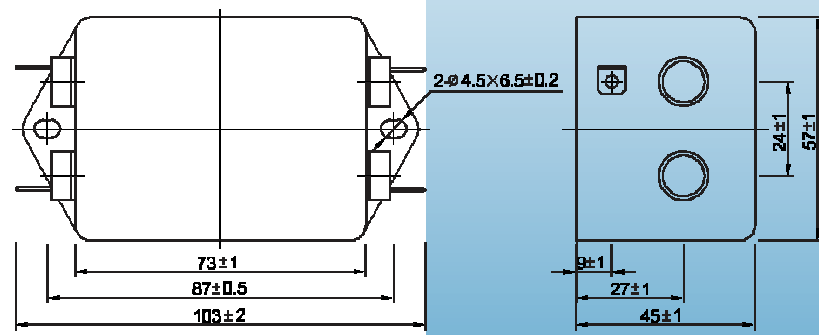


Figure 2.

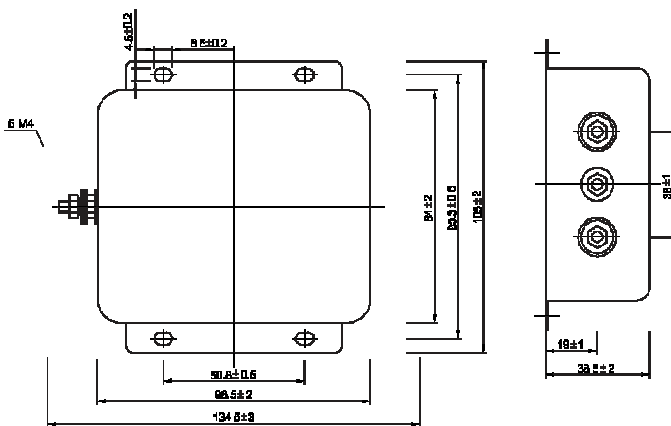


Figure 3.

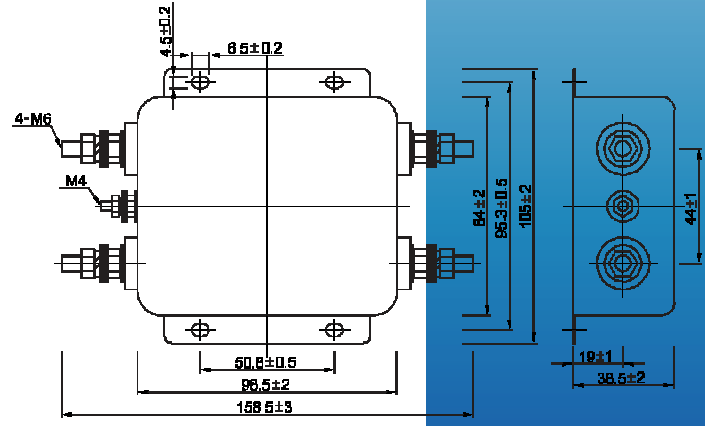


Figure 4.

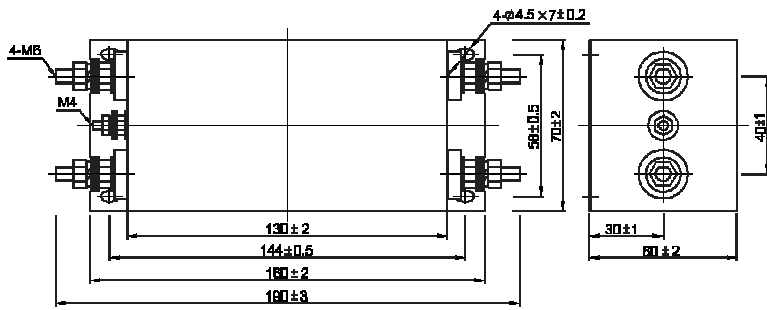


Figure 5.

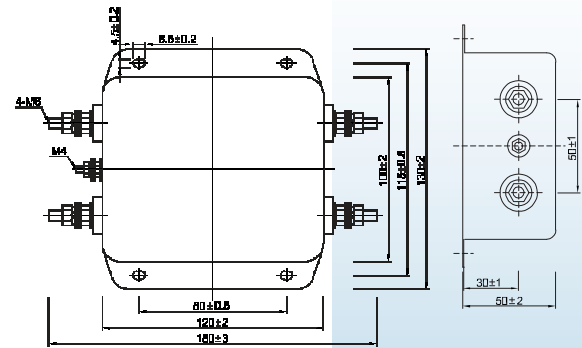


Figure 6.

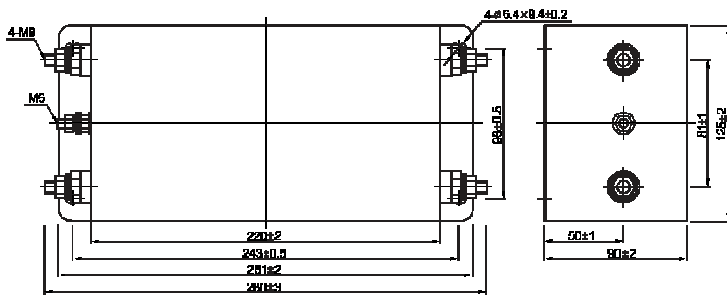


Figure 7.

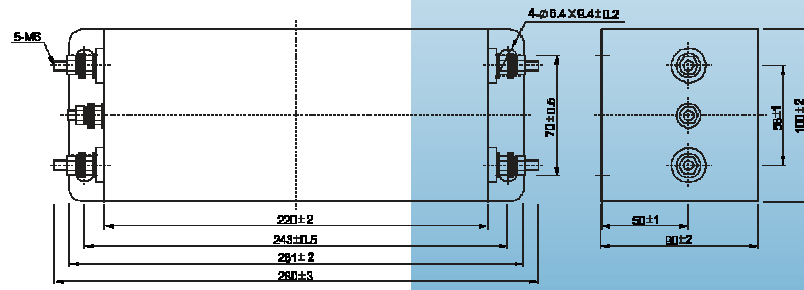


Figure 8.

Insertion Loss in dB (Measured in 50 Ω system as per IEC/CISPR NO.17)
Common Mode ————— Differential Mode - - - - -

