

EB & EBX Series EMC Filters

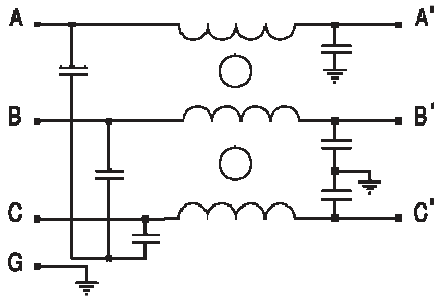
Compliance Engineering's EB & EBX series EMC filters are general purpose low to medium current filters, suitable for 3 phase delta applications (3 line).



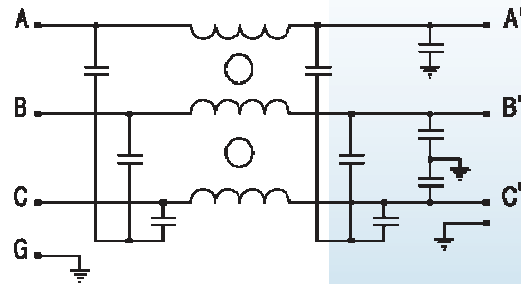
Technical Data	
Rated Voltage:	250 / 440VAC
Operating Frequency:	50 / 60 Hz
Current Rating:	5A – 50A
Test Voltage (1 min):	2250 VAC (line to ground)
Climatic Category	25 / 085 / 21

Model	Rated Current (A)	Ground Capacitance (nF)	Discharge Resistance \geq (M Ω)	Circuit Diagram Figure	Dimension Figure
5EB	5	6.8	-	1	1
10EB	10	6.8	-	1	1
5EBX1	5	6.8	-	1	2
10EBX1	10	6.8	-	1	2
15EB3	15	6.8	-	2	3
20EB3	20	6.8	-	2	3
25EB3	25	6.8	-	2	3
30EB3	30	6.8	-	2	3
40EB3	40	6.8	-	2	4
50EB3	50	6.8	-	2	4

Typical Circuit Diagram



Circuit 1.



Circuit 2.

Outline Drawings and Dimension (mm)

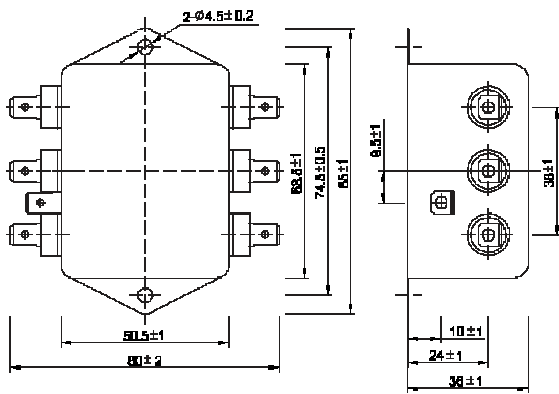


Figure 1.

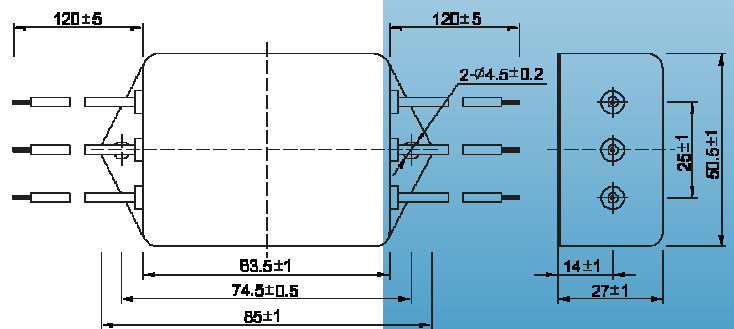


Figure 2.

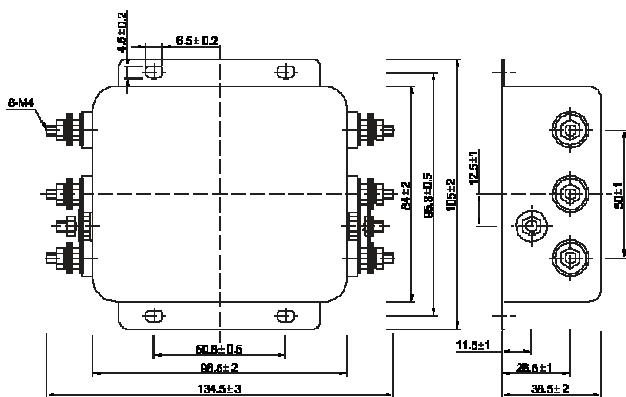


Figure 3.

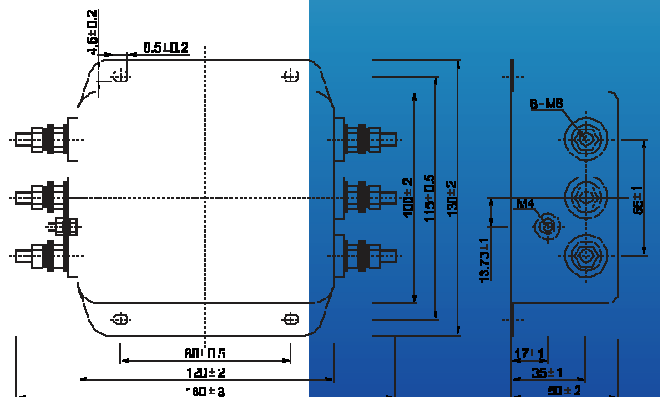
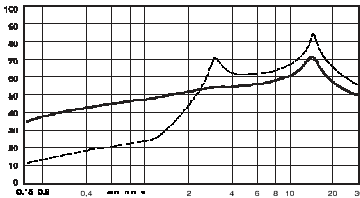


Figure 4.

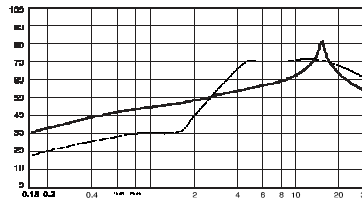
Insertion Loss in dB (Measured in 50 Ω system as per IEC/CISPR NO.17)

Common Mode ————— **Differential Mode** - - - - -

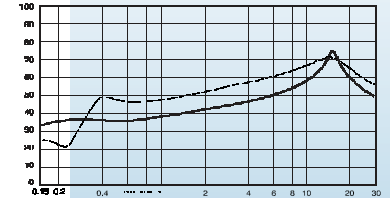
5EB/5EBX1



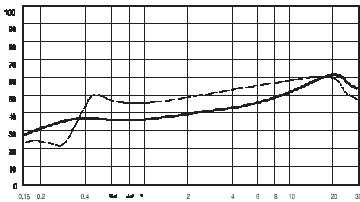
10EB/10EBX1



15EB3/20EB3/25EB3



30EB3



40EB3/50EB3

