

EAT Series EMC Filters

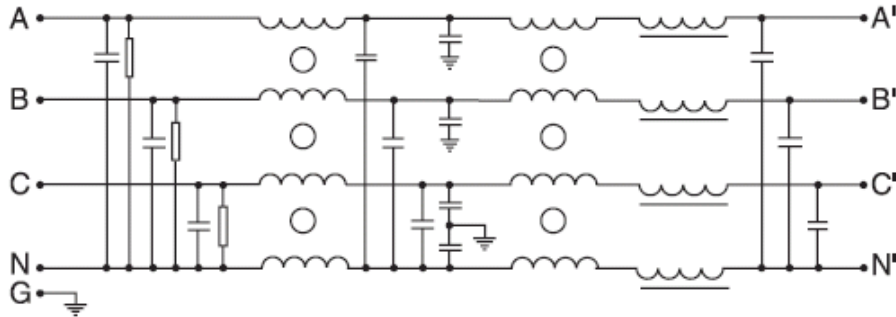
Compliance Engineering's EAT series EMC filters are for 3 phase applications requiring low leakage current to ground with high attenuation. These filters provide excellent performance in both common and differential modes.

Technical Data	
Rated Voltage:	250 / 440 VAC
Operating Frequency:	50 / 60 Hz
Current Rating:	5A – 35A
Test Voltage (1 min):	2250 VDC (line to ground)
Climate Category	40 / 085 /21



Model	Rated Current (A)	Ground Capacitance (nF)	Discharge Resistance (kΩ)	Circuit Diagram Figure	Dimension Figure
5EAT1	5	47	440	1	1
10EAT1	10	47	440	1	1
20EAT1	20	47	440	1	1
25EAT1	25	47	440	1	1
35EAT1	35	47	440	1	1

Typical Circuit Diagram



Circuit 1.

Outline Drawings and Dimension (mm)

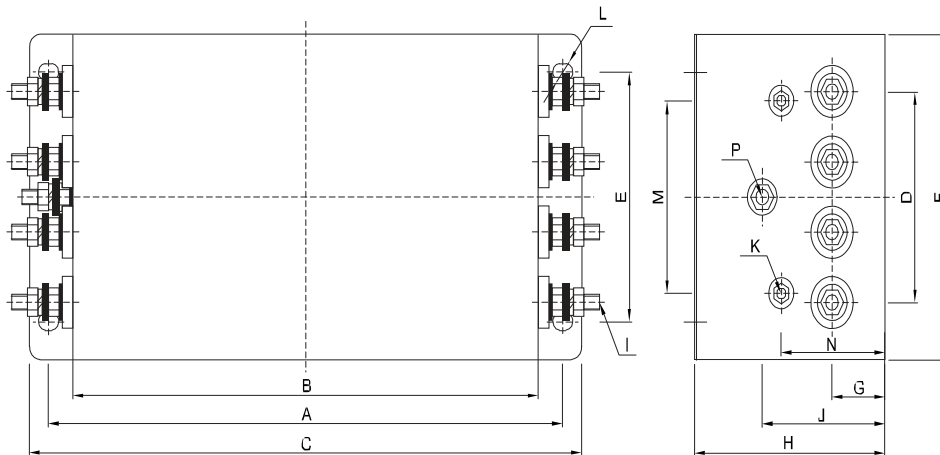


Figure 1.

Model	A (mm)	B (mm)	C (mm)	D (mm)	E (mm)	F (mm)	G (mm)	H (mm)	I (mm)	J (mm)	K (mm)	M (mm)	N (mm)	P (mm)	L (mm)
5EAT1	184	160	202	60	44	86	18	58	M4	38	-	-	-	M4	6.4X9.4
10EAT1	243	220	261	60	44	100	25	90	M4	45	-	-	-	M4	6.4X9.4
20EAT1	243	220	261	60	44	100	25	90	M4	45	-	-	-	M4	6.4X9.4
25EAT1	243	220	261	81	96	125	25	90	M6	58	M4	74	49	M6	6.4X9.4
35EAT1	243	220	261	81	96	125	25	90	M6	58	M4	74	49	M6	6.4X9.4

Insertion Loss in dB (Measured in 50 Ω system as per IEC/CISPR NO.17)

Common Mode ————— **Differential Mode** - - - - -

